



LIPSA

Housezambique

Special Thanks: Mike Linsalata

RULES: Practical Shooting Handbook, Latest Edition **Course Designer:** Matt McMahon

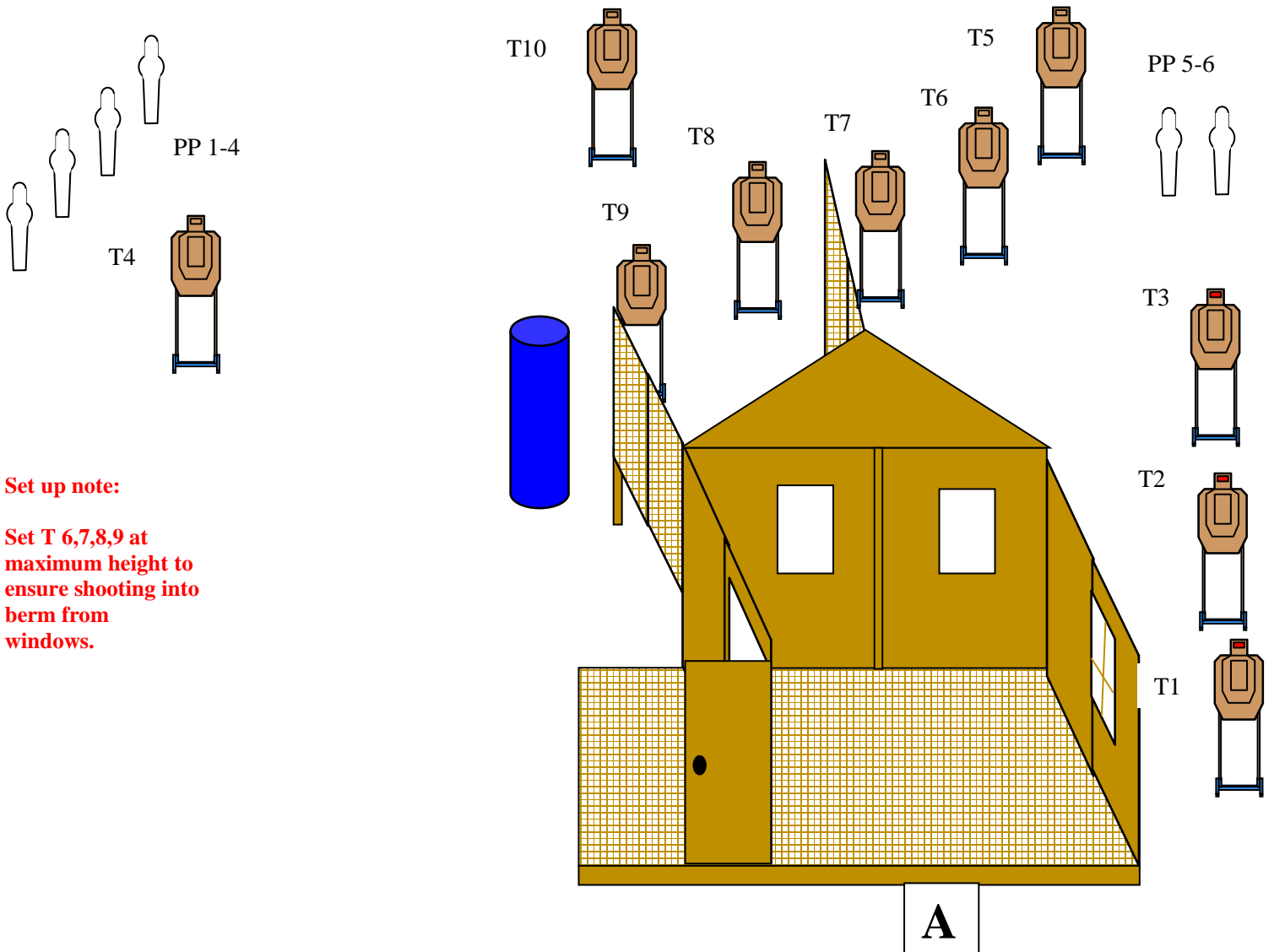
START POSITION: Standing in Box A, Gun loaded (10 rounds only) and at low ready.

STAGE PROCEDURE

At signal engage all targets and steel as they become visible through ports and door. **(You can step out on deck to engage targets).** Red head targets get 3 rounds, 2 body and 1 head. Any **FULL DIAMETER** hit in red is an "A".

SCORING

SCORING: Comstock, 29 rounds, 130 points
TARGETS: 10 IPSC Metric, 6 PP
SCORED HITS: Best 2 per IPSC, steel down= 1A
START-STOP: Audible-Last Shot
PENALTIES: Procedural -10
 No-shoot hit -10
 Miss -10



Set up note:

Set T 6,7,8,9 at maximum height to ensure shooting into berm from windows.



LIPSA

NOTHING AT ALL

Special Thanks: David Hyden

RULES: Practical Shooting Handbook, Latest Edition **Course Designer:** Matt McMahon, Michael Linsalata

START POSITION: Standing in Box A loaded (10 rounds only) at low ready

STAGE PROCEDURE

At signal, engage P1 P2 T1 and T2 from Box A only, then engage all targets as they become visible from within the fault lines.

(Stage starts with door closed.)

SCORING

Comstock, 25 rounds, 125 points

SCORING:

10 Metric, 5 plates

TARGETS:

Best 2 per IPSC

SCORED HITS:

Audible-Last Shot

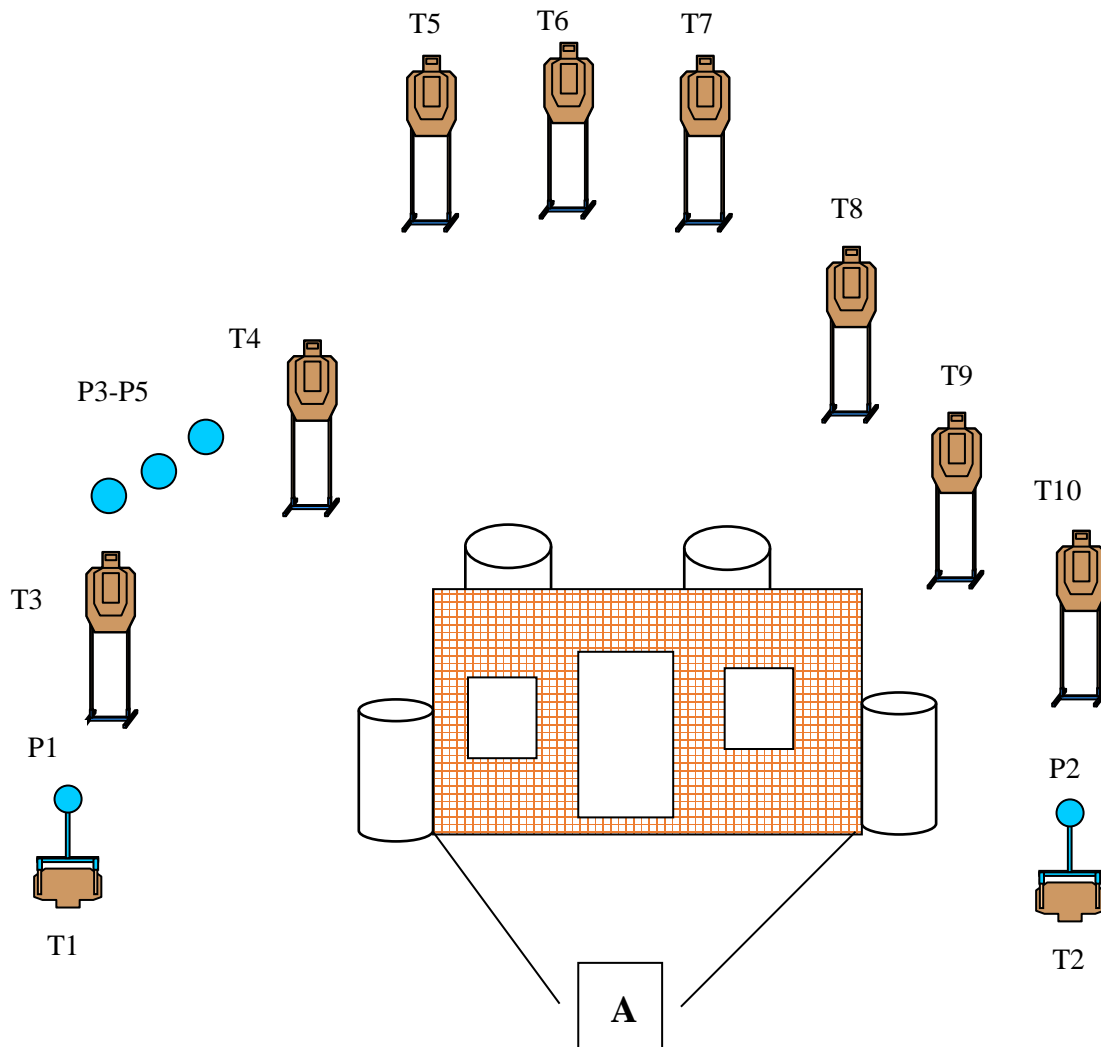
START-STOP:

Procedural -10

PENALTIES:

No-shoot hit -10

Miss -10





LIPSA

HANG ME

Special Thanks: Just Hangin' Around

RULES: Practical Shooting Handbook, Latest Edition **Course Designer:** Michael Linsalata

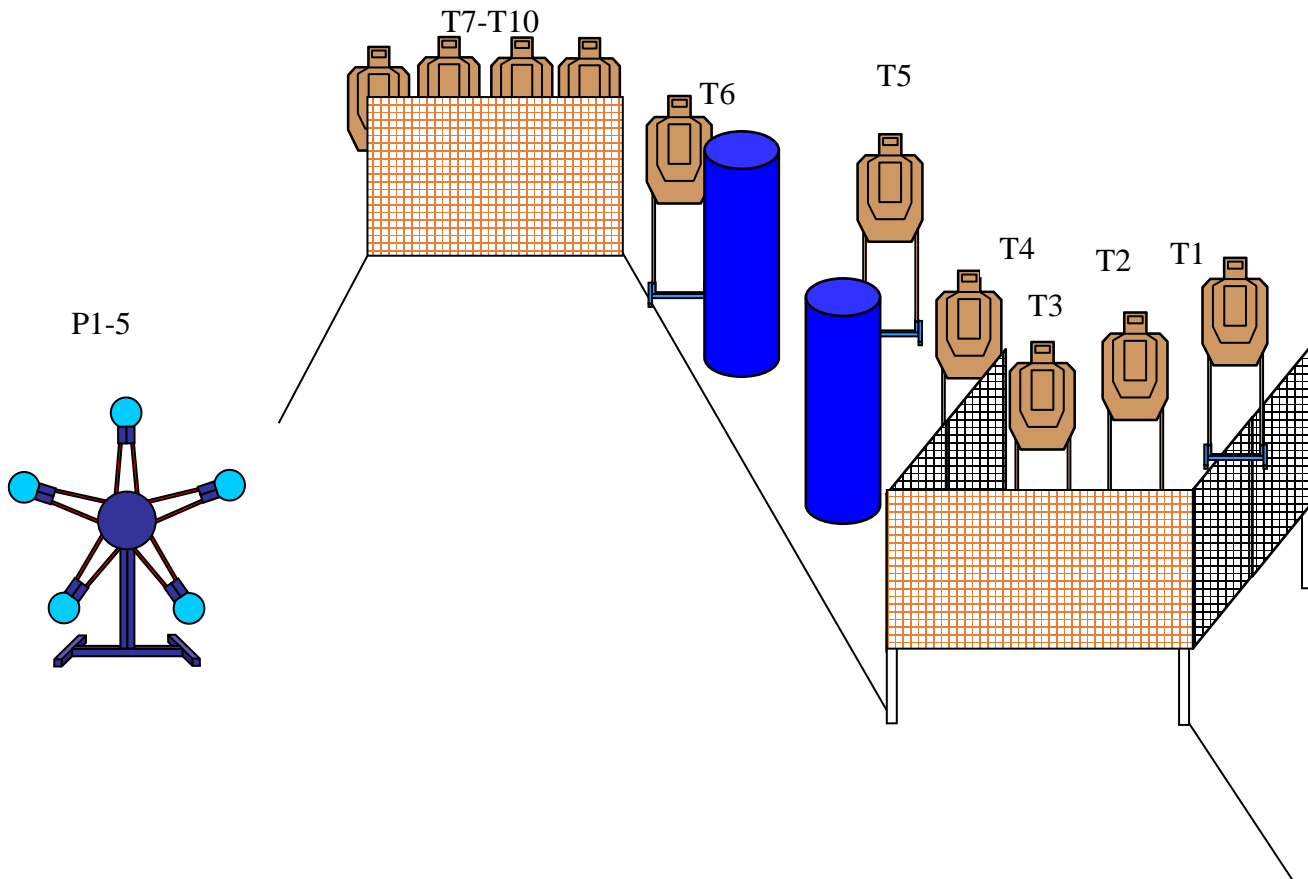
START POSITION: Standing in Box A. Gun loaded (10 rounds only) and held at low ready.

STAGE PROCEDURE

At signal, P 1-5 from Box A only. Step out of Box A and engage all other targets as they become visible from within the fault lines.

SCORING

SCORING: Comstock, 24 rounds, 120 points
TARGETS: 10 IPSC METRIC, 4 Plates
SCORED HITS: Best 2 per IPSC, Steel Down = 1A
START-STOP: Audible-Last Shot
PENALTIES: Procedural -10
No-shoot hit -10
Miss -10



A

SETUP NOTES: T7-T10 should be mounted low to the ground and at a 45 degree angle. Also should be placed close to berm.

PIT 3

LIPSA

Hole Shot

RULES: Practical Shooting Handbook, Latest Edition **Course Designer:** Michael Linsalata, Matt McMahon

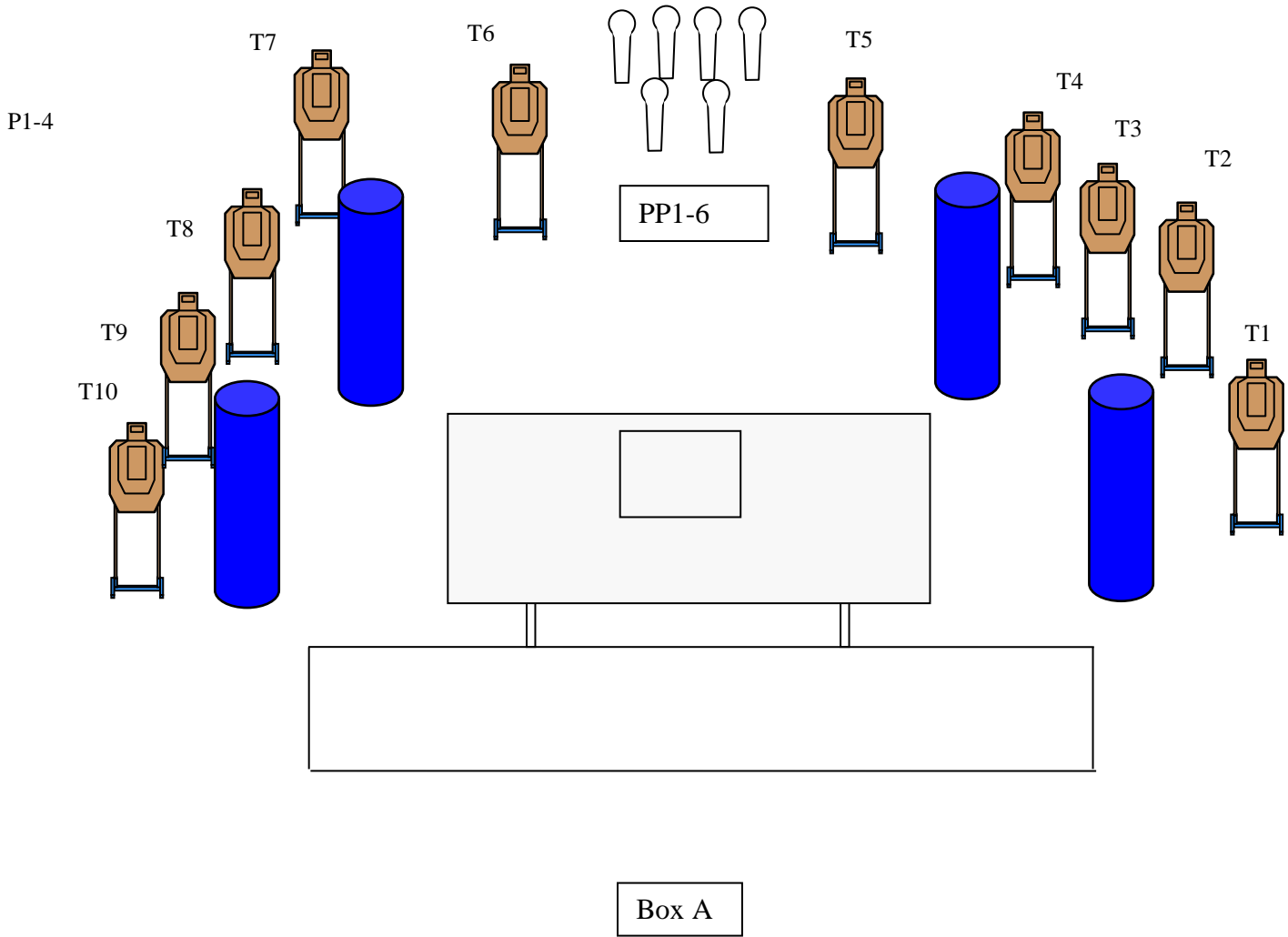
START POSITION: Standing in box A. Gun loaded (10 rounds only) and held at low ready.

STAGE PROCEDURE

At signal engage PP1-6 from Box A only, then engage all targets as they become visible from within the Free Fire Zone.

SCORING

SCORING: Comstock, 26 rounds, 130 points
TARGETS: 10 Metric, 6 pieces of steel
SCORED HITS: Best 2 per IPSC, Steel Down= 1A
START-STOP: Audible-Last Shot
PENALTIES: Procedural -10
 No-shoot hit -10
 Miss -10



PIT 4

SETUP NOTE

SPECIAL INSTRUCTIONS:

RULES: Practical Shooting Handbook, Latest Edition **Course Designer:** Michael Linsalata

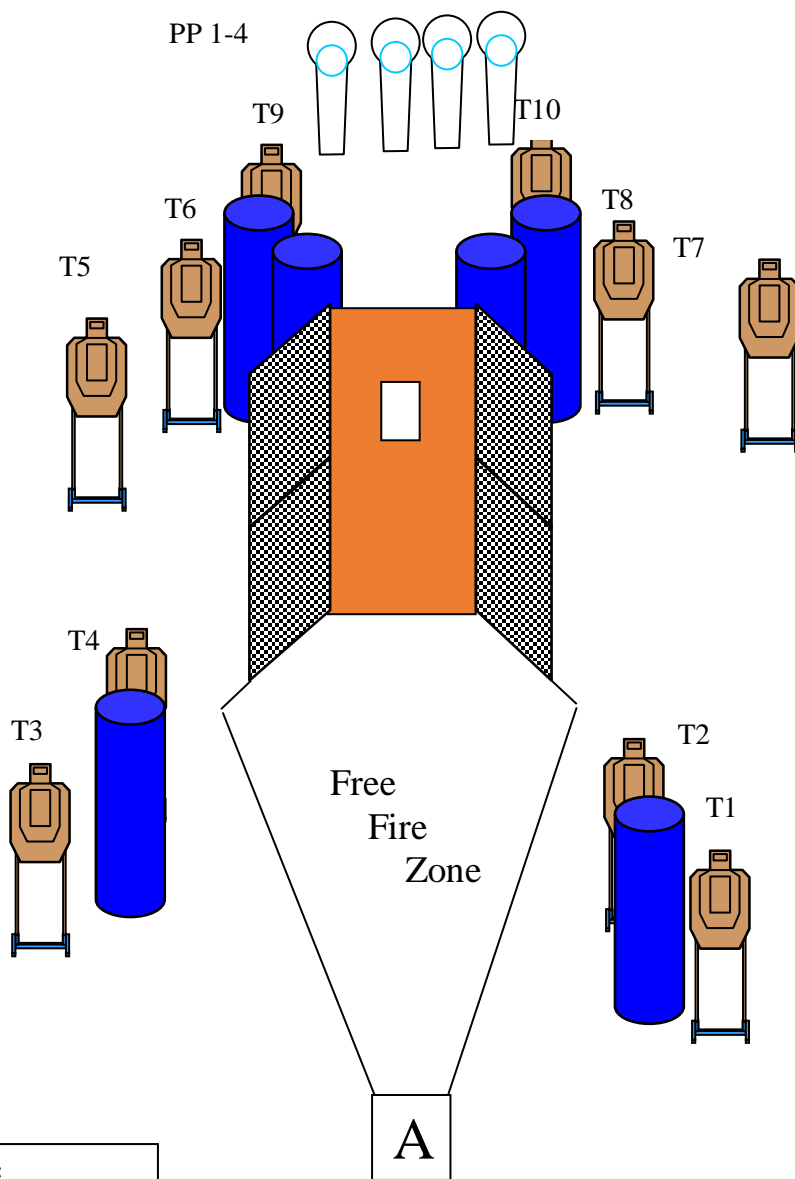
START POSITION: Standing in Box A Gun loaded (10 rounds only) and held at low ready.

STAGE PROCEDURE

At signal, step completely into Free Fire Zone, then engage all targets as they become visible from within the fault lines.

SCORING

SCORING: Comstock, 24 rounds, 120 points
TARGETS: 10 Metric 4PP
SCORED HITS: Best 2 per IPSC, Steel Down= 1A
START-STOP: Audible-Last Shot
PENALTIES: Procedural -10
No-shoot hit -10
Miss -10



SPECIAL INSTRUCTIONS:

SETUP NOTES: